

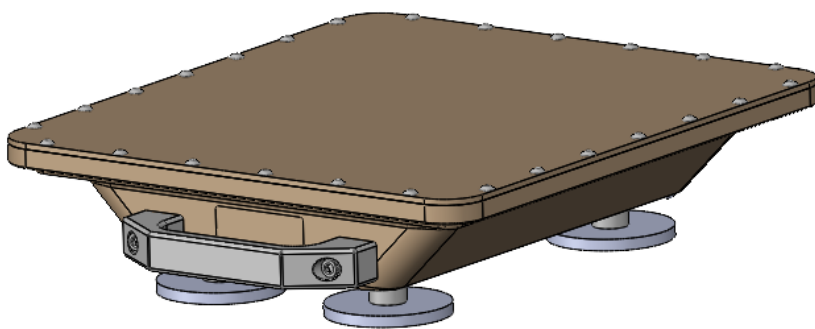
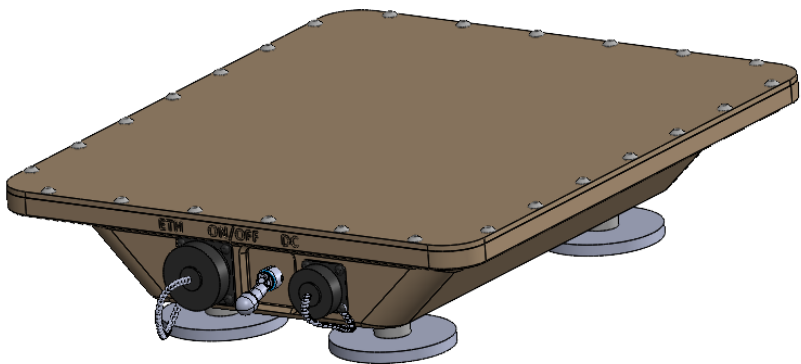
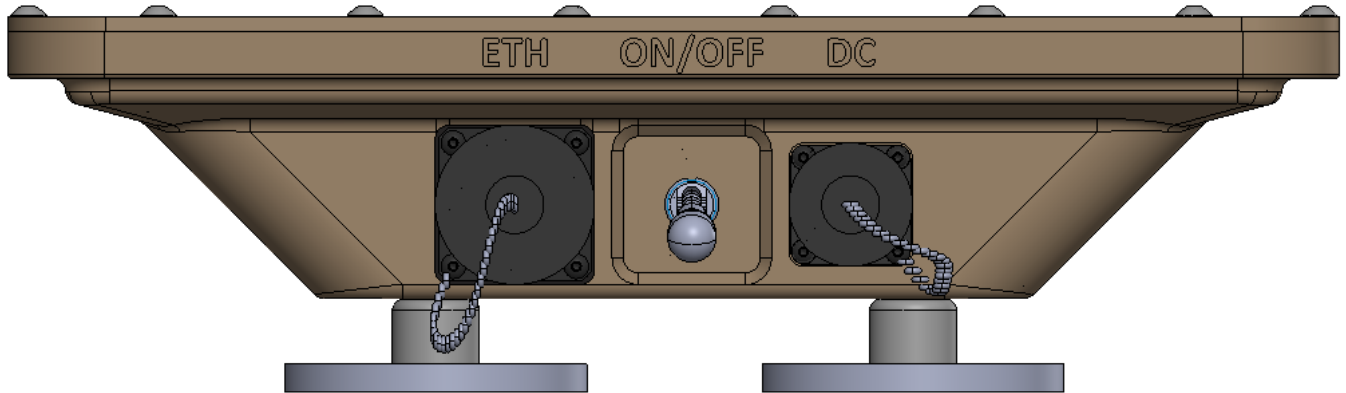
CopaSAT

CopaSAT STORM MINI Ruggedized StarLink /Starshield SATCOM

Rugged & Portable Satellite Connectivity

Reliable tactical communications depend on infrastructure solutions that work even in the harshest environments. When your organization operates in places that are completely disconnected from the rest of the world, you need SATCOM hardware that can withstand everything nature and people throw at it.

STORM



Potential Users & Applications

- **Defense & Military:** Secure, resilient communications for tactical and strategic operations.
- **Government Agencies:** Reliable connectivity for critical missions and remote deployments.
- **Oil & Mining:** Seamless communications in remote extraction sites with rugged, field-ready design.
- **Maritime:** High-speed internet for vessels at sea, supporting navigation, operations, and crew welfare.
- **Vehicular Operations:** In-motion connectivity for vehicles in challenging environments.
- **Emergency Response Teams:** Rapid deployment for on-the-ground coordination and crisis response.
- **Law Enforcement:** Enhanced field communications for operations in remote or urban locations.
- **Recreational Use:** Reliable internet for adventure travel, remote work, or leisure in isolated areas.



Connectivity, Redefined

- **Global Starlink/StarShield Satellite Coverage:** Seamless access to worldwide connectivity through LEO satellite networks.
- **Ruggedized Starshield or Starlink Antenna:** Built to MIL-STD-810H standards for ultimate durability.
- **High-Speed LEO Data Rates:** Achieves up to 150 Mbps downlink and 20 Mbps uplink.
- **Flexible Communication Modes:** Supports COTM, COTP, and stationary applications.
- **Extreme Durability, Reliable Connectivity:** Portable, rugged, and ready with one-button activation—even in the harshest environments.
- **Simple, Rapid Access:** No LEO commissioning required; just connect and go with a compatible service plan.
- **Automatic Satellite Provisioning:** No manual pointing or complex setup—just automatic acquisition for instant connectivity.
- **Built for Movement:** Maintains high-speed connections across challenging terrain and seas.
- **Comprehensive SATCOM Solution:** Fully integrated Starlink/Starshield terminal in a ruggedized build.
- **Customized Solutions:** Tailored to meet your unique communication needs.
- **Portable and Travel-Friendly:** Compact for one-person carry, meeting airline checked luggage standards.
- **Versatile Power Options:** Multiple power input choices for flexibility in any situation.

Specifications	
Frequency Band	
Transmit	14.0 GHz–14.50 GHz
Receive	10.70 GHz–12.70 GHz
Environmental & Reliability	
Latency-LEO	<50ms
MIL-STD	Designed to meet MIL-STD-810H
Water Infiltration	Designed to meet IP68
Operating Temperature	-30°C to +55°C
Physical	
Dimensions	13 X 11.5 X 2.75 inches
Weight	<7 lbs (3 Kg)
Mounting Options	<ul style="list-style-type: none"> • 1/4-20 threads • Magnet • Suction Cup
Power	
Input DC	12–48 VDC
Input AC	External Power Supply
BB-2590 Battery Input	Compatible
Vehicle Power	Compatible
Power Consumption	20W (steady state) <60W (initialization)
Network Interfaces	
<ul style="list-style-type: none"> • Single 10/100/1000 Mbps RJ 45 Ethernet port • Wi-Fi Access Point 	
STORM MINI Options	
<ul style="list-style-type: none"> • Fly-away transit case • Suction cup mounts • Magnetic mounts • Tripod • Multiple color options 	



www.4ksolutions.com
 +1 (844) 445-7658
sales@4ksolutions.com
 11255 Rambling Trail
 Midland, GA 31820

